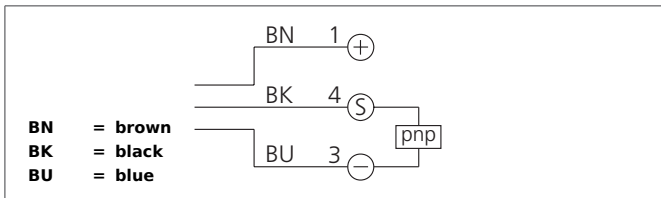


MZES 3.9 PS-K-TSSL Sensor for Gripper Systems

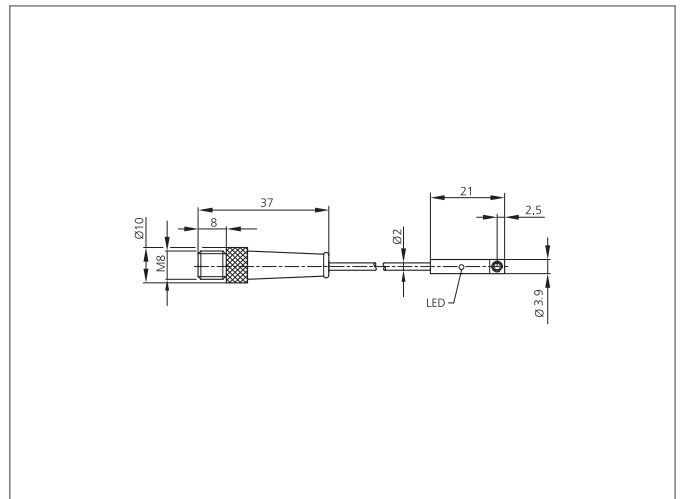
- Special magnet field for use on gripping tongs with C-shaped slot 3.9 mm
- Short design
- Stainless steel fastening part
- Cable, highly flexible
- All-electronically
- Fully encapsulated electronic circuitry, vibration-resistant
- High reproducibility
- High protection class



Safety instructions

The Instruments are not to be used for safety applications, in particular applications in which safety of persons depends on proper operation of the instruments.

These instruments shall exclusively be used by qualified personnel.



TECHNICAL INFORMATION (typ.)	+20°C, 24V DC
Cylinder groove	C-groove 3,9 mm
Mounting	Locking screw
Maximum rating	100 mA, not short-circuit-proof, polarity-safe
Service voltage	10 ... 35 V DC
Internal power consumption	< 12 mA
Switching output	pnp, NO
Contact rating	3 W max. (30 V, 100 mA)
Display	LED: yellow - output signal
Voltage drop	< 2,0 V
Switching frequency	1.000 Hz
Reproducibility	< 0,1 mm
Ambient temperature	-20 ... +70 °C
Insulation voltage endurance	500 V
Protection class	IP 67
Protection degree	III, operation on protective low voltage
Casing material	stainless steel, plastics V2A (1.4301 / AISI 304)
Connection	Cable TPU, Connector, M8, 300 mm
Connecting cable	TK ...